

ELLE MACPHERSON THE BODY™



Rotating Dry Brush

2 Year Guarantee

Instruction Manual

By
HOMEDICS®

ELM-DB100-GB



Thank-you for purchasing this Rotating Dry Brush, part of my new 'The Body' range that I have developed so that you can maximise your beauty potential. Intuitive and accessible, my range of products can help you to discover my beauty secrets.

Regularly dry brushing can have tremendous benefits not only on the health of your skin, but on your overall health as well. The rotating dry brush exfoliates the skin and stimulates cell renewal leading to improved skin tone and texture. By stimulating lymphatic drainage it can help rid your body of toxins and improve blood circulation. Enjoy the multiple benefits of dry brushing.

Elle 😊

READ ALL INSTRUCTIONS BEFORE USE. SAVE THESE INSTRUCTIONS FOR FUTURE REFERENCE.

IMPORTANT SAFEGUARDS:

WHEN USING ELECTRICAL PRODUCTS, ESPECIALLY WHEN CHILDREN ARE PRESENT, BASIC SAFETY PRECAUTIONS SHOULD ALWAYS BE FOLLOWED, INCLUDING THE FOLLOWING:

- ALWAYS unplug the appliance from the electrical outlet immediately after using and before cleaning. To disconnect, turn all controls to the 'OFF' position, then remove plug from outlet.
- NEVER leave an appliance unattended when plugged in. Unplug from the mains outlet when not in use and before putting on or taking off parts or attachments.
This appliance is not intended for use by persons (including children) with reduced physical, sensory or mental capabilities, or lack of experience and knowledge, unless they have been given supervision or instruction concerning use of the appliance by a person responsible for their safety. Children should be supervised to ensure that they do not play with the appliance.
- DO NOT reach for an appliance that has fallen in water or other liquids. Switch off at the mains and unplug it immediately.
- NEVER insert pins or other metallic fasteners into the appliance.
- Use this appliance for the intended use as described in this booklet. DO NOT use attachments not recommended by HoMedics.
- NEVER operate the appliance if it has a damaged cord or plug, if it is not working properly, if it has been dropped or damaged, or dropped into water. Return it to the HoMedics Service Centre for examination and repair.
- Keep cord away from heated surfaces.
- Excessive use could lead to the product's excessive heating and shorter life. Should this occur, discontinue use and allow the unit to cool before operating.
- NEVER drop or insert any object into any opening.
- DO NOT operate where aerosol (spray) products are being used or where oxygen is being administered.
- DO NOT operate under a blanket or pillow. Excessive heating can occur and cause fire, electrocution or injury to persons.
- DO NOT carry this appliance by the cord or use cord as a handle.
- DO NOT use outdoors.
- This product requires a 220-240 V AC power.
- DO NOT attempt to repair the appliance. There are no user serviceable parts. For service, send to a HoMedics Service Centre. All servicing of this appliance must be performed by authorised HoMedics service personnel only.

- Never block the air openings of the appliance or place it on a soft surface, such as a bed or couch. Keep air openings free of lint, hair etc.
- Do not place or store appliance where it can fall or be pulled into a bath or sink. Do not place in or drop into water or other liquid.

SAFETY CAUTIONS :

PLEASE READ THIS SECTION CAREFULLY BEFORE USING THE APPLIANCE.

- **If you have any concerns regarding your health, consult a doctor before using this appliance.**
- If you are susceptible to allergic reactions or if you have circulatory problems, consult a physician before using this product.
- Do not use on irritated, sunburned or chapped skin, or on any area with dermatological problems.
- Do not apply over skin eruptions, warts, moles or varicose veins.
- Use should be easy and painless. If you experience nail or skin irritation, or hand discomfort when using this product, discontinue use. If a more extreme reaction occurs, consult your doctor
- Individuals with pacemakers and pregnant women should consult a doctor before using this appliance. Not recommended for use by Diabetics
- DO NOT use on an infant, invalid or on a sleeping or unconscious person. DO NOT use on insensitive skin or on a person with poor blood circulation.
- If you feel any discomfort whilst using this appliance, discontinue use and consult your doctor.
- Care should be taken when using heated surfaces. If the product feels excessively hot, switch off at mains and contact the HoMedics Service Centre.
- Use of this product should be pleasant and comfortable. Should pain or discomfort result, discontinue use and consult your GP.
- Ensure that your hands are dry when operating the controls or removing the plug.
- This product should NEVER be used by any individual suffering from any ailments that would limit the user's capacity to operate the controls.

PRODUCT FEATURES:

Ergonomic and lightweight design

Comfortable grip
Fits the palm of your hand

Detachable rotating brush with Natural cactus bristles



LED charging indicator

Power switch
Press 1 = On
Press 2 = Off

BENEFITS OF DRY BRUSHING:

Dry skin brushing is a simple way to improve your overall energy and well-being in addition to improving the health and appearance of your skin. It can help improve drainage of the lymphatic system, essential for removing toxins from the body, improves circulation, stimulates the nervous system and can even improve digestion. Regular brushing can help prevent cellulite and exfoliate dead-skin cells leaving skin feeling fresh and rejuvenated.

For best results it is recommended to carry out dry skin brushing all over the body every day before you bathe or shower. For cellulite treatment it is recommended to target the affected area twice a day

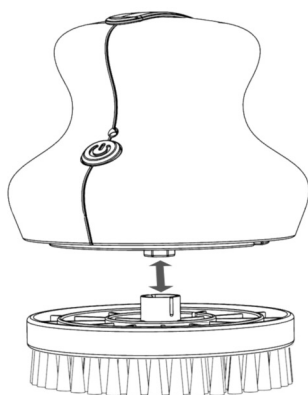
INSTRUCTIONS FOR USE

Powering the unit:

1. To charge the product insert the lead from the charger plug into to hole at the reverse of the unit. Plug the charger into the socket and switch on. Charge time is approximately 5 hours.
2. The LED situated above the power switch will flash continuously whilst the product is charging, once charging is complete the LED will become constant.
3. Once charging is complete always switch off and unplug the charger from the mains. Remove the power cord from the device before use.
4. The product will not operate whilst charging.

Attaching/Detaching the Brush:

1. The brush is removable for cleaning. It can be detached by pulling away from the unit and reattached by aligning the hexagonal post with the hole in the top of the brush and pushing together.



2. To wash the brush rinse the bristles under the tap. The brush should be left somewhere to dry completely before reattaching to the product.

N.B. The product itself is not waterproof and is designed to be used on dry skin only.

Using the Body Brush:

Before using ensure the brush is firmly attached and the charger cable is removed from the product. Switch the unit on by pressing the power button once. The brush will begin rotating. To switch off press the power button again.

It is best to carry out dry skin brushing before a bath or shower. It may take some time to get used to the sensation of dry brushing so start gently and don't apply too much pressure.

N.B. Applying too much pressure will cause the brush to stop rotating – this could reduce the life of the motor.

- Begin brushing from the soles of your feet working up your legs in long sweeping motions. You may want to concentrate for longer on ankles, knees, elbows etc. where the skin can be drier.
- Continue up your body over the buttocks and working in circular motions across the abdomen. You may want to concentrate a little longer on areas prone to cellulite.
- When brushing your upper back and chest focus the direction of the strokes towards the heart.
- Finally finish with the palms of your hands working down the arms to the shoulder.
- Pay particular attention to the lymph nodes e.g. Groin and underarm areas.
- Apply less pressure on sensitive areas and use more firmly on areas like the soles of the feet.
- Avoid brushing anywhere the skin is broken or infected.
- After dry brushing take a shower to wash away all the toxins. Dry off vigorously to further stimulate the lymphatic system and apply natural plant based oils to moisturise the skin.

Battery Replacement

Your Motorised Body Brush includes a rechargeable battery designed to last the lifetime of the product. In the unlikely event that you should require a replacement battery please contact Customer Services who will supply details of the warranty and out-of-warranty replacement battery service.

Battery directive



This symbol indicates that batteries must not be disposed of in the domestic waste as they contain substances which can be damaging to the environment and health. Please dispose of batteries in designated collection points.

WEEE explanation



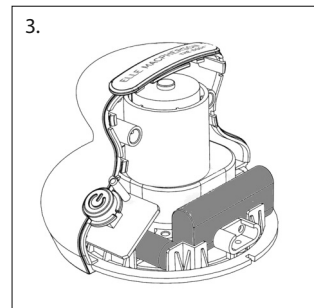
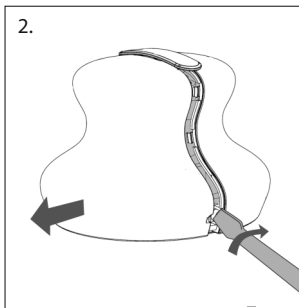
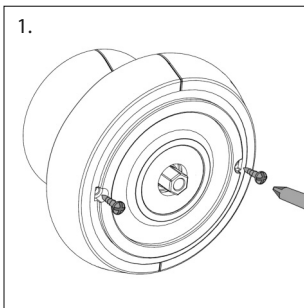
This marking indicates that this product should not be disposed with other household wastes throughout the EU. To prevent possible harm to the environment or human health from uncontrolled waste disposal, recycle it responsibly to promote the sustainable reuse of material resources. To return your used device, please use the return and collection systems or contact the retailer where the product was purchased. They can take this product for environmental safe recycling.

Removing batteries

At the end of the product life, the batteries should be removed from the product for recycling separately to the unit. To remove the batteries:

1. Detach brush and remove screws from underside of unit using a cross-head screwdriver (not supplied).
2. Insert a flat-head screw driver (not supplied) into the part-line between the two halves of the case. Twist to open the case. Pull the case sideways to remove.
3. With the internal components exposed, locate the batteries (shown in grey) and remove for recycling. The rest of the unit should be recycled as WEEE waste see above section for further details.

N.B. This will permanently damage the product and should only be carried out once you intend to dispose of the unit.



MAINTENANCE:

Cleaning

Unplug the appliance and allow to cool before cleaning. Clean only with a soft, slightly damp sponge.

- Never allow water or any other liquids to come into contact with the appliance
- Do not immerse in any liquid to clean.
- Never use abrasive cleaners, brushes, glass / furniture polish, paint thinner etc to clean.

Storage

Place the appliance in its box or in a safe, dry, cool place. DO NOT wrap the power cord around the appliance. DO NOT hang the unit by the cord.



ELLE MACPHERSON

THE BODY™

By
HOMEDICS®



IB-ELMDB100-0413-01